

PowerWalker ATS

Automatic Transfer Switch

Dual power supply for redundancy

Powered by two separately independent power sources

1x IEC 19 (16A) and 8x IEC C13 (10A) outlets

19" Rack design

Supports all UPS up to 3000 VA



Item-No. 10120543

Product Features

PowerWalker ATS is designed with two independent power inlets to supply power to the load from primary power source. Should primary power source fail, the secondary will automatically backup the connected equipment without any interruption. The transfer time from one to another is seamless to the connected equipment. After switching to a secondary power source, the ATS can also switch power back to the primary input when power to the primary input is restored.



USB and RS-232 ports



Intelligent slot

Supports following models:

- VI Series: VI 1000, 1500 LCD, 2000 LCD
VI 1000RT/1500RT/2000RT/3000RT LCD
VI 1500R/3000R
- VFI Series: VFI 1000/1500/2000/3000 LCD
VFI 1000R/1500R/2000R/3000R LCD
VFI 1000RT LCD, 1500RT LCD, 2000RT LCD, 3000RT LCD

- Provides seamless power switch for IT equipment
- Preferred source selection on front panel
- Supports all UPS up to 3000 VA

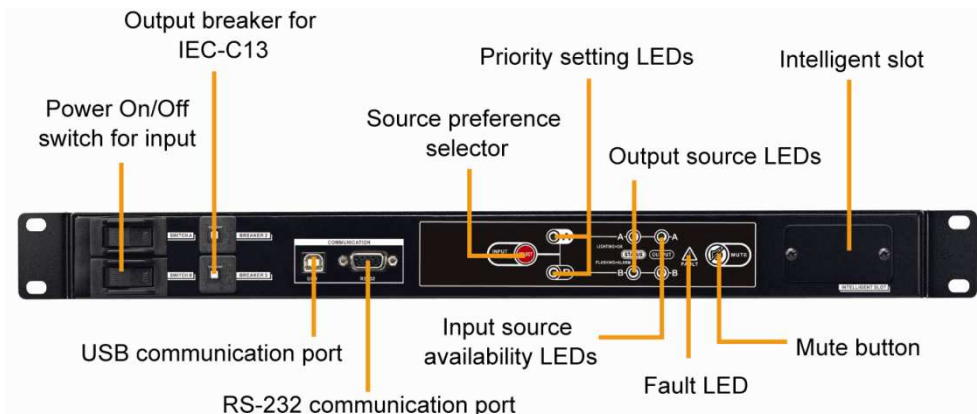


1x IEC C19 (16A) outlets
8x IEC C13 (10A) outlets



Contact ports

Technical Details



Product Features

Maximum Input Current	16A
Voltage Rating	220/230/240VAC

LED Indicators

Priority Setting LEDs	A, B
Power Source Status LEDs	A, B
Output Source LEDs	A, B
Fault	Red

Connections

Main Power	2x IEC C20
Input from UPS	2x IEC C20
Output to UPS	2x IEC C19
Output	1x IEC C19 (16A) and 8x IEC C13 (10A)

Product Details

Dimensions	438 x 330 x 44 mm
Colour	Black
Weight	5kg
Model Code	ATS

Environment

Temperature	-5°C – 45°C
Humidity	20% - 95% RH (non- condensing)

Package Content

Package Content	PowerWalker ATS, manual
------------------------	-------------------------

Optional Accessoires

IEC cable C13/C20	Item-No. 91010041
IEC cable C14/C19	Item-No. 91010040
IEC cable C13/C14	Item-No. 91010013
IEC cable C19/C20	Item-No. 91010028

Logistic Data

Giftbox Language	EN
Manual Language	EN
Dimension/Giftbox	495 x 168 x 74 mm
Weight/Giftbox	8.0kg
Dimension/carton	600 x 505 x 185 mm
Weight/carton	20kg
Pieces/carton	8
Pieces/palette	320
Item Number	10120543
EAN-Code	4260074974959
Warranty	24 Months

Version: EN 04/05/2012

We reserve the right for technical changes and mistakes