

# PowerWalker 19" MBS

Maintenance Bypass Switch

Provides maintenance bypass function

5x IEC C13 (10A) and 1x IEC C19 (16A) outlets

19" Rack design

Supports all UPS up to 3000 VA



Item-No. 10120501

## Product Features

PowerWalker MBS is used as an external power distribution unit in conjunction with UPS systems or large-scale voltage regulators. It allows to manually transferring the connected equipment to utility power via a bypass switch, permitting scheduled maintenance or UPS replacement without power interruption. Combined power distribution feature and the master/slave controlled design, it provides maintenance bypass function and power saving within a compact mechanism.

### Supports following models:

VI Series: VI 1000RT/1500RT/2000RT/3000RT LCD  
VI 1500R/3000R

VFI Series: VFI 1000R/1500R/2000R/3000R LCD  
VFI 1000RT LCD, 1500RT LCD, 2000RT LCD, 3000RT LCD

- Provides continuous power to connected equipment during UPS maintenance
- Master/Slave outlets design for energy saving
- Easy operation with simple rotary switch
- Plug-and-play connectivity for both input and output
- Suitable for all UPS up to 3000 VA



1x IEC C19 (16A) outlet  
5x IEC C13 (10A) outlet



Master/Slave function

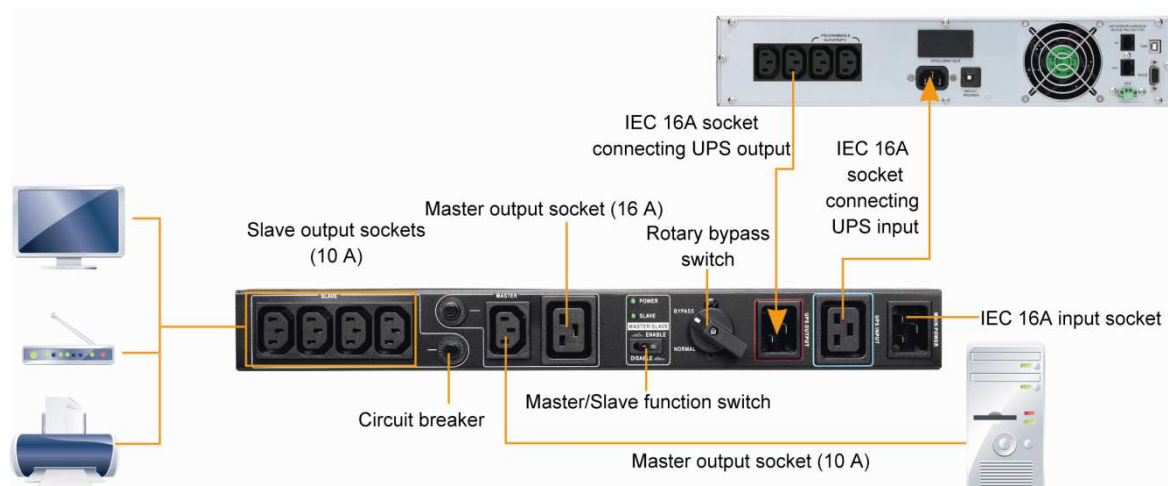


Bypass Switch



Energy saving

## Technical Details



### Product Features

<b>Current Rating</b>	16A
<b>Voltage Rating</b>	208/220/230/240VAC
<b>Energy Saving Function</b>	Yes (If power consumption in Master outlet is lower than 20W (±5W), it will shut off the power for slave outlets)

### LED Indicators

<b>Power LED</b>	Green lighting
<b>Master/Slave Function LED</b>	Green lighting

### Connections

<b>Main Power</b>	1x IEC C20 (16A)
<b>Input from UPS</b>	1x IEC C20 (16A)
<b>Output to UPS</b>	1x IEC C19 (16A)
<b>Master Output</b>	1 x IEC C19 (16A) + 1 x IEC C13 (10A)
<b>Slave Output</b>	4 x IEC C13 (10A)

### Product Details

<b>Dimensions</b>	438 x 80 x 50 mm
<b>Colour</b>	Black
<b>Weight</b>	1.5kg
<b>Model Code</b>	19" MBS

### Environment

<b>Temperature</b>	0°C – 40°C
<b>Humidity</b>	20% - 90% RH (non- condensing)

### Package Content

<b>Package Content</b>	PowerWalker 19" MBS, manual, Input Power cable
------------------------	--

### Optional Accessoires

<b>IEC cable C19/C20</b>	Item-No. 91010028
<b>IEC cable C13/C20</b>	Item-No. 91010041
<b>IEC cable C14/C19</b>	Item-No. 91010040
<b>IEC cable C13/C14</b>	Item-No. 91010013

### Logistic Data

<b>Giftbox Language</b>	EN
<b>Manual Language</b>	EN
<b>Dimension/Giftbox</b>	495 x 168 x 74 mm
<b>Weight/Giftbox</b>	2.4kg
<b>Dimension/carton</b>	600 x 505 x 185 mm
<b>Weight/carton</b>	20kg
<b>Pieces/carton</b>	8
<b>Pieces/palette</b>	320
<b>Item Number</b>	10120501
<b>EAN-Code</b>	4260074974195
<b>Warranty</b>	24 Months